



Key Features

- Thermal & Optical dual vision
- High sensitivity 256x192 VOx uncooled thermal sensor technology
- Active deterrence with white light alarm and siren
- Support ROI and motion detection
- DC12V or ePoE power supply
- Micro SD, up to 256 GB
- Alarm 2 in and 2 out, Audio 1 in and 1 out
- IP 67

Intended Use

The M3000 series of product models are telethermographic imaging systems that are intended for general thermal imaging. These products are not intended for medical purposes, nor for use by health care professionals or others for body temperature assessment. These products are not intended for human use for human body temperature scanning. These products are NOT intended for use in the diagnosis of disease or other conditions or in the cure, mitigation, treatment, or prevention of disease.

Notes:

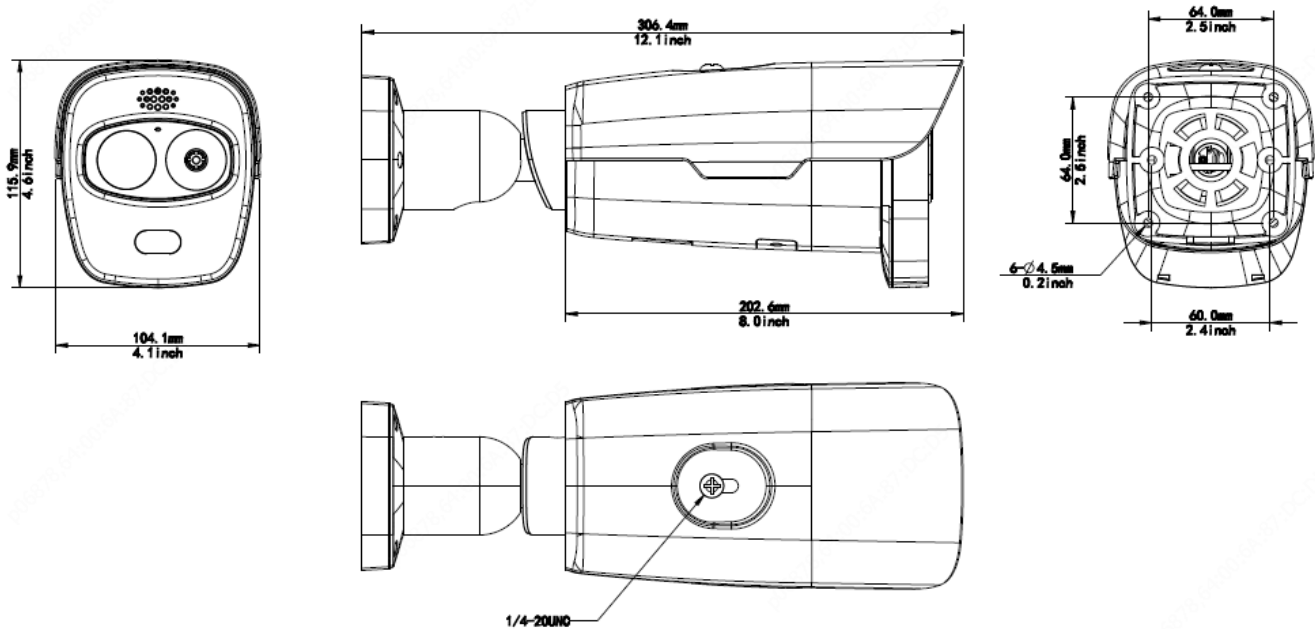
The M3000 series of product models are available to purchase in the United States of America. Please contact us directly for any purchase inquiries.

Specifications

Optical Module	
Sensor	1/2.8", 2.0 megapixel, progressive scan, Sony CMOS
Lens	8mm@F1.9,
Iris	Auto, manual
Angle of View (H)	40°
Angle of View (V)	22°
Image Frequency	2MP, up to Max 60Hz
Shutter	Auto/Manual, 1 ~ 1/100000s
Min. Illumination	Colour:0.001lux (F1.6, AGC ON) 0 lux with IR
WDR	120dB
Day/Night	IR-cut filter with auto switch (ICR)
IR Range	Up to 50m (164ft) IR range
Wavelength	850nm
IR On/Off Control	Auto/Manual
HLC	Supported
BLC	Supported

Thermal Module	
Sensor Technology	Vanadium Oxide Uncooled Focal Plane Arrays thermal sensor
Pixel Resolution	256*192
Angle of View (H)	24°
Angle of View (V)	18°
Image Frequency	Up to Max 25Hz (Image frequency greater than 9Hz requires export license from Canada)
Response waveband	8~14μm
Pixel size	12μm
NETD	< 50mk @f1.0 @25° C
Thermal Lens	Athermalized lens, focus free
Palette and Fusion	Up to 20 palettes and image fusion
Temperature screening accuracy	
Temperature range	30° C~45° C
Temperature accuracy	± 0.3°C (with black-body)
Intelligent Functions	
TargetTemperature screening	Target temperature screening alarm and threshold temperature setting, scan at measurement distance of 3 meters or greater
Audio and light alarm	Active deterrence with white light & siren built-in 2/2 alarm in/out
Smart Detection	Support ROI as well as motion detection
Alarm	Built-in 2/2 alarm in/out
Video	
Compression	Ultra265, H.265, H.264, MJPEG
Video Stream	Triple streams
OSD	Up to 8 OSDs
Privacy Mask	Up to 8 areas(8 blacks)
Audio	
Audio Compression	G.711U,G.711A
Two-way audio	Supported, Built in mic and speakers
Sampling Rate	8KHZ
Storage	
Memory	Micro SD, up to 256 GB
Network Storage	ANR,NAS(NFS)
Network	
Protocols	IPv4, IGMP, ICMP, ARP, TCP, UDP, DHCP, PPPoE, RTP, RTSP, RTCP, DNS, DDNS, NTP, FTP, UPnP, HTTP, HTTPS, SMTP, 802.1x, SNMP, QoS, RTMP
Compatible Integration	ONVIF (Profile S, Profile G, Profile T), API
Web Browser	Plug-in required live view: IE9+, Chrome 41 and below, Firefox 52 and below Plug-in free live view:Chrome 57.0+, Firefox 58.0+, Edge 16+, Safari 11+
Interface	
Audio I/O	Audio cable
	1 Input: impedance 35kΩ; amplitude 2V [p-p] 1 output: impedance 600Ω; amplitude 2V [p-p]
Alarm I/O	2/2
Serial Port	1 RS485
Network	1 x RJ45 10M/100M Base-TX Ethernet
General	
Power	DC12V(± 25%), ePoE
	Power consumption: Max 14W
	Support reverse polarity protection, Overvoltage and overcurrent protection , Input short circuit protection
Dimensions (∅ x H)	∅306.4mmx115.9mmx104.1mm(∅12.1"x4.6"x4.1")
Net Weight	1.8kg(3.96lb)
Installation method	Tripod, wall mount

Dimensions



WARNING AND CONDITIONS OF USE OF THIS PRODUCT

1. This product is not a medical device.
2. This product is intended for general public use.
3. This product is marketed only to the general public for general, non-medical purposes, such as use in construction and other industrial applications only.
4. These products are not intended for use in the diagnosis of disease or other conditions or in the cure, mitigation, treatment, or prevention of disease, when marketed for these non-medical applications
5. U.S. Food and Drug Administration (FDA) medical device requirements do not apply to this product.
6. FDA marketing authorization is not required for this product, and all medical device requirements of the Federal Food, Drug and Cosmetics Act do not apply to this product.
7. Any use of this product outside of these above conditions and warnings are not recommended, this falls under the responsibility and risk of the end user and is not the responsibility of the manufacturer.