

Overview

The CSI-IRR series of infrared illuminators adopts Total Internal Reflection technology to boost LED light efficiency. This proprietary design allows for evenly distributed illumination with viewing distances over 400 meters (1320ft). Another advantage of these illuminators is the low power consumption,

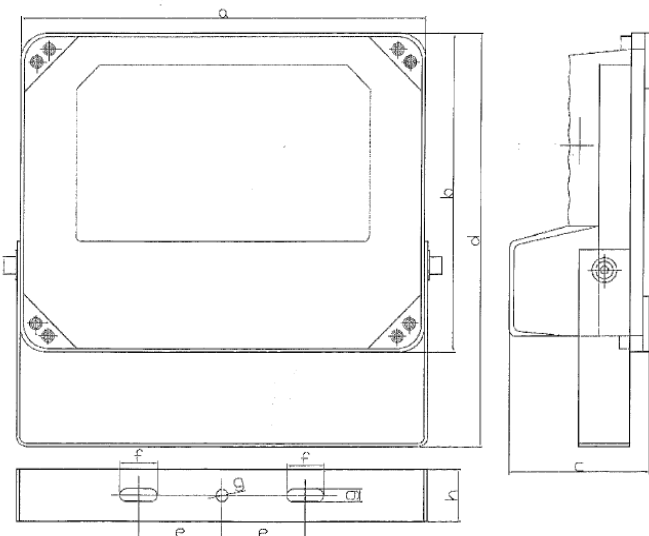
The CSI-IRR infrared illuminators are weather resistant (IP66) and come in 850nm (semi-covert) or 940nm (covert) wavelength versions. The 740nm is available as a option.

The result of these innovations is a high--performance infrared illuminator that delivers the farthest viewing distance and longest life of any infrared illuminator currently available on the market. The CSI-IRR series of illuminators can be purchased separately or as part of a complete infrared CCTV camera system. They can also be retrofitted to existing CCTV cameras.

Outstanding Features

- Illumination distance range up to 400m (1320ft)
- Available in semi-covert (850nm) and covert (940nm) wavelength
- Available in 30°, 60° and 90° illumination angle
- Constructed in light weight rugged extruded aluminum weatherproof housing
- Long lifespan LED of 10,000+ hours
- Automatic ON/OFF photocell control as standard for each model
- Produce no infrared glare
- Operating temperature range -40°C to 50°C
- Available in industry standard 24VAC, or 110/220 VAC power input
- IP66 protection level

Dimensional Diagram



Product Image

CSI-IRR Infrared Illuminator



Applications

- Night time or Covert Surveillance
- Airport Perimeter
- Government Facilities
- Border and Harbor Patrols
- Prison Surveillance
- Police Surveillance
- Facilities that require a high level of security

Options & Accessories

- Universal Stainless Steel U Bracket
- Product Color: Black, White, Beige, Silver and Grey
- 740nm Wavelength Available

Certifications / Compliance

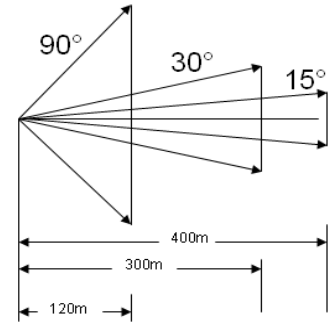
FCC Certification
CE Certification
RoHS Compliance

	For 36 LED Series	For 24 LED Series
a (Width):	261mm	261mm
b (Height):	261mm	202mm
c (Thickness):	90mm	90mm
d (Height with bracket):	322mm	262mm
e (Mounting hole distance):	54mm	54mm
f (Mounting hole width):	24mm	24mm
g (Mounting hole diameter):	8mm	8mm
h (Mounting bracket width):	33mm	33mm
Weight:	2.9KG	2.2KG

Specifications

36 LED Series (60W power consumption)

Model No.	Illumination Angle	Illumination Distance	Wavelength
CSI-IRR400m15	15°	400m	850nm
CSI-IRR300m30	30°	300m	850nm
CSI-IRR220m45	45°	220m	850nm
CSI-IRR160m60	60°	160m	850nm
CSI-IRR120m90	90°	120m	850nm
CSI-IRR200m15N	15°	200m	940nm
CSI-IRR150m30N	30°	150m	940nm
CSI-IRR110m45N	45°	110m	940nm
CSI-IRR80m60N	60°	80m	940nm
CSI-IRR60m90N	90°	60m	940nm



24 LED Series (40W power consumption)

Model No.	Illumination Angle	Illumination Distance	Wavelength
CSI-IRR240m15	15°	240m	850nm
CSI-IRR180m30	30°	180m	850nm
CSI-IRR110m45	45°	110m	850nm
CSI-IRR85m60	60°	85m	850nm
CSI-IRR70m90	90°	70m	850nm

How to Order

CSI-IRR300m30-24VAC

