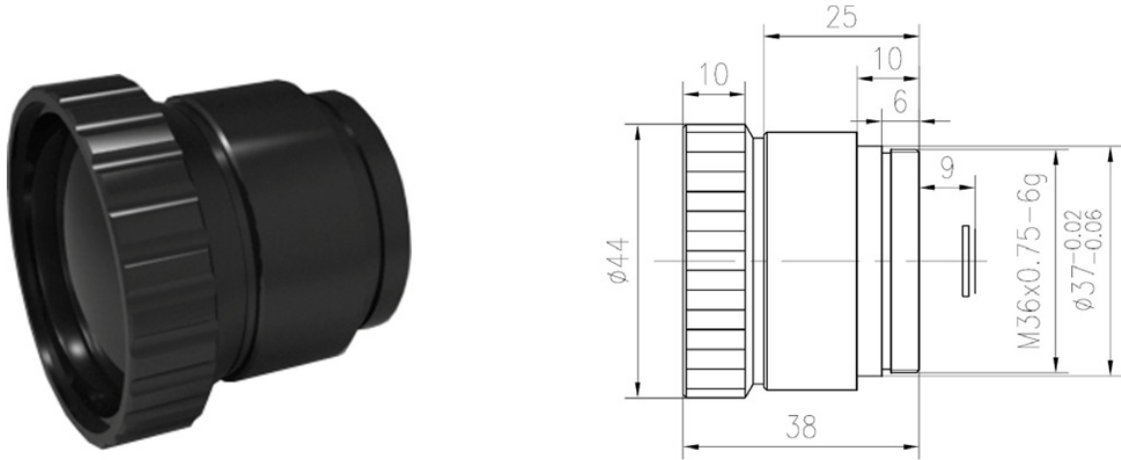


FIR1522 FL35mm f/1.0, Fixed (Adjustable) Focus



Property	Value	Remark
Optical		
Focal Length	35mm	
F/#	1.0	
Spectral Range	8~12μm	
Average Transmission (8~12μm)	≥88% (HC)	≥94% (HD)
Detector Type	384x288 20μm	
Back Focal Length	11 mm	
Filed of View (H x V)	12.5°x9.4°	
Mechanical		
Focus Mechanism	Manually adjustable	
Focus Range	5m ~ ∞	
Weight	<80g	
Dimensions	Φ44x38mm	
Back work Distance	19mm	
Environmental		
Operating Temperature	-30°C ~ +50°C	
Storage Temperature	-40°C ~ +60°C	
Sealing	IP66-front lens only	

FOV						
FOV [deg]	160 x 120	320 x 240	336 x 256	384 x 288	640 x 480	640 x 512
25 μm	6.5° x 4.9°					
17 μm		8.9° x 6.7°	9.3° x 7.1°	10.7° x 8°		