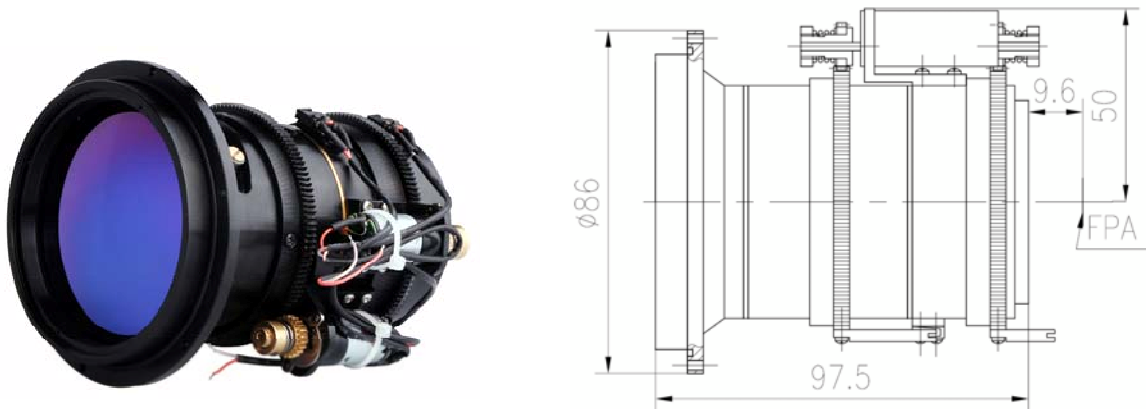


FIR1414 FL15—45mm f/1.0, Motorized Continuous Zoom



Property	Value	Remark
Optical	WFOV NFOV	
Focal Length	15mm 45mm	
F/#	1.0	
Spectral Range	8~12μm	
Average Transmission (8~12μm)	≥80% (HC)	≥85% (HD)
Detector Type	640×512 17μm	
Back Focal Length	21mm	
Filed of View (H x V)	39.9° × 22.4° 13.8° x 11.1°	
Mechanical		
Focus Mechanism	Motorized adjustable	
Focus Range	3m ~∞ 6m ~∞	
Weight	< 650g	
Dimensions	Φ97 × 127.4mm	
Back work Distance	9.6mm	
Environmental		
Operating Temperature	-30°C ~+50°C	
Storage Temperature	-40°C ~+60°C	
Sealing	IP66-front lens only	

FOV						
FOV [deg]	160 x 120	320 x 240	336 x 256	384 x 288	640 x 480	640 x 512
25 μm	15.2°x11.4° ~ 5.2° x 3.8°	29.9°x22.6° ~ 10.2° x 7.6°		35.5°x27° ~ 12.2° x 9.2°		
17 μm		20.6°x15.5° ~ 6.9° x 5.2°	21.6°x16.5° ~ 7.3° x 5.5°	24.6°x18.5° ~ 8.3° x 6.2°	39.9°x30.4° ~ 13.8° x10.4°	39.9°x32.4° ~ 13.8° x11.1°