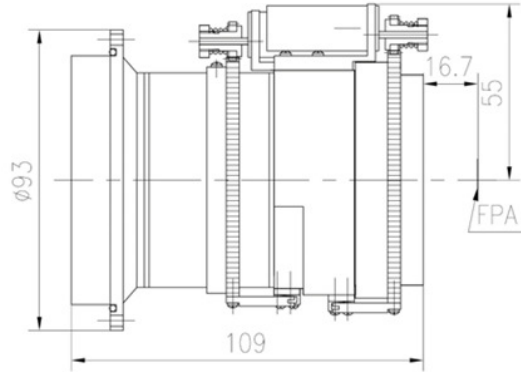


FIR1406 FL20--60mm f/1.0, Motorized Continuous Zoom



Property	Value	Remark
Optical	WFOV NFOV	
Focal Length	20mm 60mm	
F/#	1.0	
Spectral Range	8~12μm	
Average Transmission (8~12μm)	≥80% (HC)	≥85% (HD)
Detector Type	640×512 17μm	Un-cooled detector
Back Focal Length	22mm	
Filed of View (H x V)	30.4° × 24.6° 10.4° × 8.3°	
Mechanical		
Focus Mechanism	Motorized adjustable	
Focus Range	4m~∞ 8m~∞	
Weight	< 850g	
Dimensions	Φ97 × 127.4mm	
Back work Distance	16.7mm	
Environmental		
Operating Temperature	-30°C ~ +50°C	
Storage Temperature	-40°C ~ +60°C	
Sealing	IP66-front lens only	

FOV						
FOV [deg]	160 x 120	320 x 240	336 x 256	384 x 288	640 x 480	640 x 512
25 μm	11.4° x 8.6° ~ 3.8° x 2.9°	22.6°x17.1° ~ 7.6° x5.7°		27°x20.4° ~ 9.2° x 6.9°		
17 μm		15.5°x11.7° ~ 5.2° x 3.9°	16.3°x12.4° ~ 5.5° x 4.2°	18.5°x14° ~ 6.2° x 4.7°	30.4°x23.1° ~ 10.4° x7.8°	30.4°x24.6° ~ 10.4° x8.3°