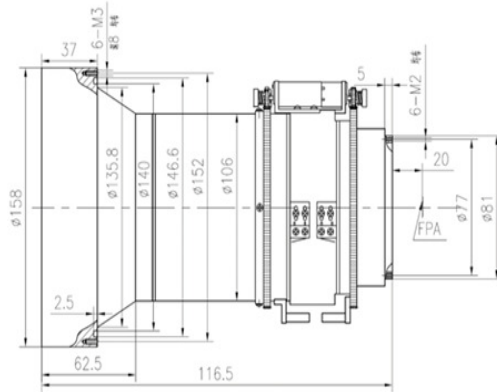


FIR1337 FL30--150mm f/1.0, Motorized Continuous Zoom



Property	Value		Remark
Optical	WFOV	NFOV	
Focal Length	30mm	150mm	
F/#	1.0		
Spectral Range	8~12 μ m		
Average Transmission (8~12 μ m)	\geq 80% (HC)		\geq 85% (HD)
Detector Type	640x480 17 μ m		
Back Focal Length	44mm		
Filed of View (H x V)	20.6° x 15.5°	4.2° x 3.1°	
Mechanical			
Focus Mechanism	Motorized adjustable		
Focus Range	4m~ ∞	10m~ ∞	
Weight	< 3800g		
Dimensions	Φ 158 x 236mm		
Back work Distance	20mm		
Environmental			
Operating Temperature	-30°C ~+50°C		
Storage Temperature	-40°C ~+60°C		
Sealing	IP66-front lens only		

FOV						
FOV [deg]	160 x 120	320 x 240	336 x 256	384 x 288	640 x 480	640 x 512
25 μ m	7.6° x 5.7° ~ 1.5° x 1.2°	15.2°x11.4° ~ 3.1° x 2.3°		18.2°x13.7° ~ 3.7° x 2.8°		
17 μ m		10.4° x 7.8° ~ 2.1° x 1.6°	10.9° x 8.3° ~ 2.2° x 1.7°	12.4°x9.3° ~ 2.5° x 1.9°	20.6°x15.5° ~ 4.2° x3.1°	