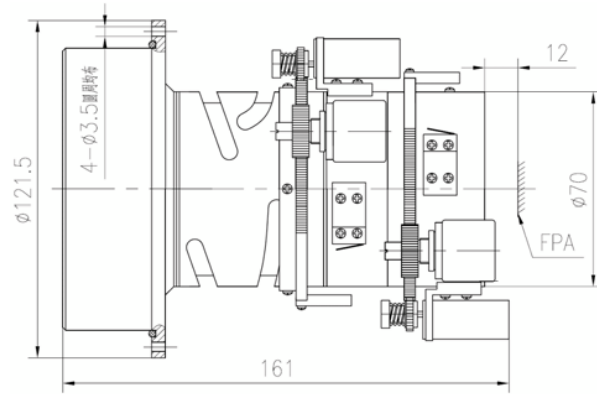


FIR1264 FL25—75mm/f1.0, Motorized Continuous Zoom



Property	Value		Remark
Optical	WFOV	NFOV	
Focal Length	25mm	75mm	
F/#	1.0		
Spectral Range	8~12μm		
Average Transmission (8~12μm)	≥83% (HC)		≥88% (HD)
Detector Type	640×480 17μm		
Back Focal Length	31mm		
Filed of View (H x V)	24.6° × 18.5°	8.3° × 6.2°	
Mechanical			
Focus Mechanism	Motorized adjustable		
Focus Range	4m~∞	10m~∞	
Weight	< 1350g		
Dimensions	Φ121.5 × 166mm		
Back work Distance	12mm		
Environmental			
Operating Temperature	-30°C~+50°C		
Storage Temperature	-40°C~+60°C		
Sealing	IP66-front lens only		

FOV						
FOV [deg]	160 x 120	320 x 240	336 x 256	384 x 288	640 x 480	640 x 512
25 μm	9.2° x 6.9° ~ 3.1° x 2.3°	18.2°x13.7° ~ 6.1° x 4.6°		21.7°x16.4° ~ 7.3° x 5.5°		
17 μm		12.4° x 9.3° ~ 4.2° x 3.1°	13° x 10° ~ 4.4° x 3.3°	14.9°x11.2° ~ 5° x 3.7°	24.6°x 8.5° ~ 8.3° x 6.2°	