

Overview

The CSI-IRR 100M30 infrared illuminator adopts Total Internal Reflection technology to boost LED light efficiency. This proprietary design allows for evenly distributed illumination with viewing distances. Another advantage of this Illuminator is the low power consumption, 10W only.

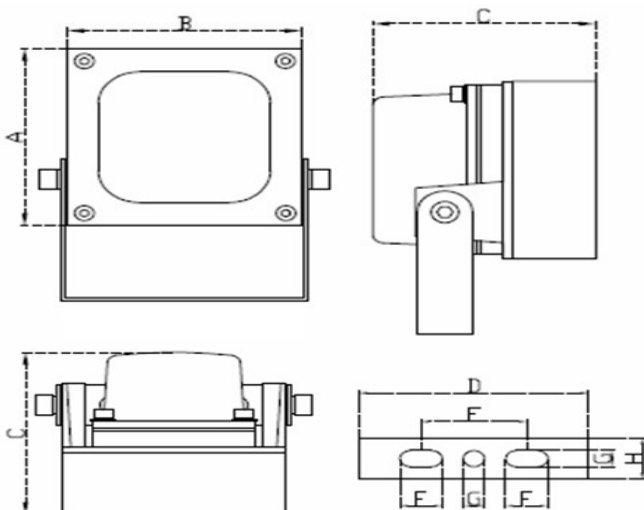
The CSI-IRR 100M30 infrared illuminator is weather resistant (IP65) and come in 850nm (semi-covert).

The CSI-IRR series of illuminators can be purchased separately or as part of a complete infrared CCTV camera system. They can also be retrofitted to existing CCTV cameras.

Outstanding Features

- Illumination distance range up to 100m
- Semi-covert (850nm) wavelength
- 30° illumination angle
- Constructed in light weight rugged extruded aluminum weatherproof housing
- Standard warranty 3 years, extendable to 5 years
- Automatic ON/OFF photocell control
- Produce no infrared glare
- Operating temperature range -40°C to 55°C
- Available in industry standard 12VDC, 24VAC, or 110/220 VAC power input
- Weight: 0.5KG

Dimensional Diagram



Product Image

CSI-IRR100M30 Infrared Illuminator



Applications

- Night time or Covert Surveillance
- Airport Perimeter
- Government Facilities
- Border and Harbor Patrols
- Prison Surveillance
- Police Surveillance
- Facilities that require a high level of security

Options & Accessories

- Universal Stainless Steel U Bracket
- Product Color: Black, White, Beige, Silver and Grey

Certifications / Compliance

- FCC Certification
- CE Certification
- RoHS Compliance

A (Width):	84mm
B (Height):	84mm
C (Thickness):	40mm
D (Height with bracket):	87mm
E (Mounting hole distance):	40mm
F (Mounting hole width):	16mm
G (Mounting hole diameter):	8mm
H (Mounting bracket width):	20mm

Specifications

Wavelength	850nm	
Illuminate distance	100 meter	50 meter
Illuminate angle	30°	60°
Input voltage	12VDC or 24VAC or 220/110VAC	
Power consumption	10W	
Operation temperature	- 40°C to +55°C	
Environmental protection level	IP65	
Weight	0.5Kg	
Dimension	84mm x 84mm x 80mm	

