

Overview

The CSI-IRL-800 infrared laser illuminators adopts laser technology to illuminate far away target. This proprietary design allows for evenly distributed illumination with viewing distances over 800 meters (2624ft). Another advantage of these Illuminators is the low power consumption, 15W only.

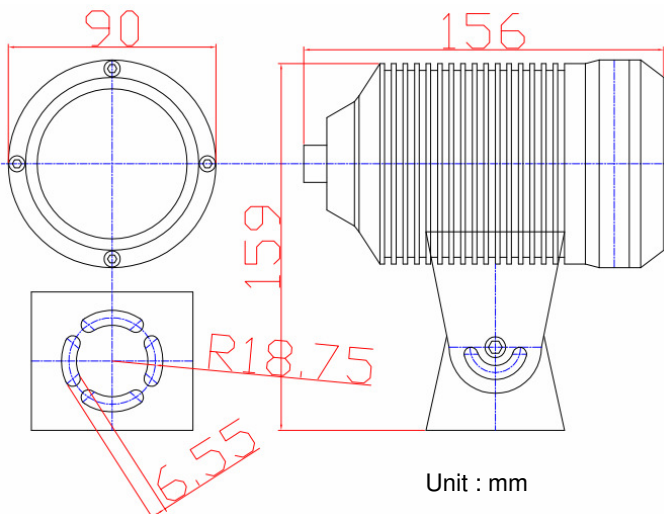
The CSI-IRL-800 infrared laser illuminators are weather resistant (IP65) and come in 808nm (semi-covert) wavelength.

The result of these innovations is a high-performance infrared illuminator that delivers the farthest viewing distance and longest life of infrared illuminator currently available on the market. The CSI-IRL-800 laser illuminator can be purchased separately or as part of a complete infrared CCTV camera system. They can also be retrofitted to existing CCTV cameras.

Outstanding Features

- Illumination distance range up to 1000m (3280ft)
- Available in semi-covert (808 +/- 10 nm) wavelength
- Electric zoom and step-less optical zoom
- Very good reliability, work life up to 50,000 hours
- Spot uniform and delicate, no noise
- Good coaxiality during lens zoom in/out
- Memory last power-off status
- Pre-setting available
- High efficient and low heat
- RS485 control interface,
- Pelco protocol compatible

Dimensional Diagram



Product Image

CSI-IRL-800 Infrared Laser Illuminator

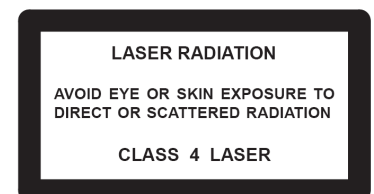


Applications

- Night time or Covert Surveillance
- Airport Perimeter
- Government Facilities
- Border and Harbor Patrols
- Prison Surveillance
- Police Surveillance
- Facilities that require a high level of security

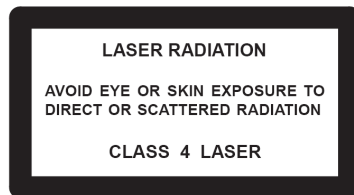
Certifications / Compliance

FCC Certification
CE Certification
RoHS Compliance



Specifications

Wave Length	808+/- 5nm (940nm, 980nm optional)
Laser Power	5W
Illuminating Angle	1.5° ~ 68° Electric synchronous zoom continuously adjustable
Lighting Distance	≥ 800 meters
Control Mode	Photo sensor / Command
Brightness Setting	Auto dimming / manually
Input Power	12VDC
Power Consumption	15W
Operating Temperature	-20°C ~ +60°C
Storage Temperature	-40°C ~ +70°C
Working Life Time	> 30000 hours
Dimension (L x W x H)	156mm × 90mm × 159mm
Weight	≤1200g
Communication Baud Rate	9600 bps



Control panel

