



Key Features

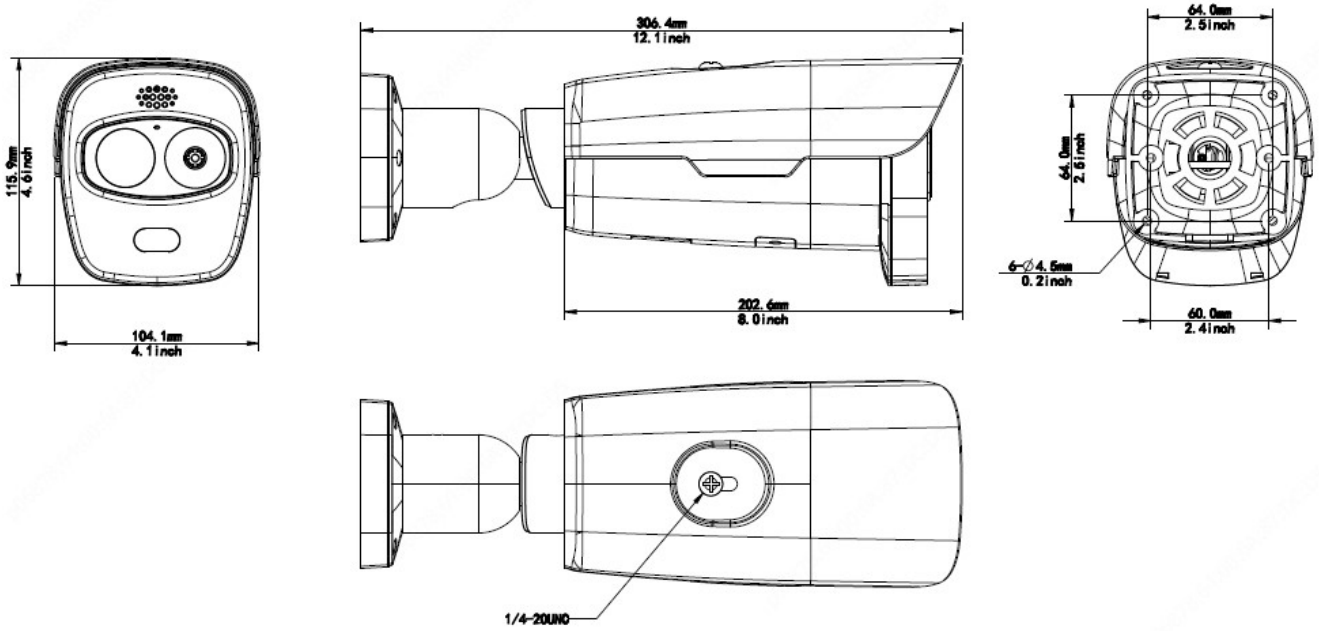
- Solution specialized for Covid-19
- High sensitivity 256x192 VOx uncooled thermal sensor technology
- Active deterrence with siren and a choice of red/green or white mini strobe light which is to be configured per customer's choice prior to delivery
- Support ROI and motion detection, embedded analytic to detect and verify body temperature
- DC12V or ePoE power supply
- Micro SD, up to 256 GB
- Alarm 2 in and 2 out, Audio 1 in and 1 out
- IP 67

Specifications

Optical Module	
Sensor	1/2.8", 2.0 megapixel, progressive scan, Sony CMOS
Lens	8mm@F1.9,
Iris	Auto, manual
Angle of View (H)	40°
Angle of View (V)	22°
Image Frequency	2MP, up to Max 60Hz
Shutter	Auto/Manual, 1 ~ 1/100000s
Min. Illumination	Colour:0.001lux (F1.6, AGC ON) 0 lux with IR
WDR	120dB
Day/Night	IR-cut filter with auto switch (ICR)
IR Range	Up to 50m (164ft) IR range
Wavelength	850nm
IR On/Off Control	Auto/Manual
HLC	Supported
BLC	Supported

Thermal Module	
Sensor Technology	Vanadium Oxide Uncooled Focal Plane Arrays thermal sensor
Pixel Resolution	256*192
Angle of View (H)	24°
Angle of View (V)	18°
Image Frequency	Up to Max 25Hz (Image frequency greater than 9Hz requires export license from Canada)
Response waveband	8~14μm
Pixel size	12μm
NETD	< 50mk @f1.0 @25° C
Thermal Lens	Athermalized lens, focus free
Palette and Fusion	Up to 20 palettes and image fusion
Temperature screening accuracy	
Temperature range	30° C~45° C
Temperature accuracy	± 0.3°C (with black-body)
Intelligent Functions	
Human body Temperature screening	Human body temperature screening alarm and threshold temperature setting, scan up to a minimum of 15 persons simultaneously at measurement distance of 3 meters or greater
Audio and light alarm	Active deterrence with red/green or white mini strobe light (customer to specify) & siren built-in 2/2 alarm in/out
Smart Detection	Support ROI as well as motion detection
Alarm	Built-in 2/2 alarm in/out
Video	
Compression	Ultra265, H.265, H.264, MJPEG
Video Stream	Triple streams
OSD	Up to 8 OSDs
Privacy Mask	Up to 8 areas(8 blacks)
Audio	
Audio Compression	G.711U,G.711A
Two-way audio	Supported, Built in mic and speakers
Sampling Rate	8KHZ
Storage	
Memory	Micro SD, up to 256 GB, manual/alarm recording supported
Network Storage	ANR,NAS(NFS)
Network	
Protocols	IPv4/IPv6, IGMP, ICMP, ARP, TCP/IP, UDP, DHCP, PPPoE, RTP, RTSP, RTCP, DNS, DDNS, NTP, FTP, UPnP, HTTP, HTTPS, SMTP, 802.1x, SNMP, QoS, Bonjour
Compatible Integration	ONVIF (Profile S, Profile G, Profile T), API
Web Browser	Plug-in required live view: IE9+, Chrome 41 and below, Firefox 52 and below Plug-in free live view:Chorme 57.0+, Firefox 58.0+, Edge 16+, Safari 11+
Interface	
Audio I/O	Audio cable 1 Input: impedance 35kΩ; amplitude 2V [p-p] 1 output: impedance 600Ω; amplitude 2V [p-p]
Alarm I/O	2/2
Serial Port	1 RS485
Network	1 x RJ45 10M/100M Base-TX Ethernet
General	
Power	DC12V(± 25%), ePoE Power consumption: Max 14W Support reverse polarity protection, Overvoltage and overcurrent protection , Input short circuit protection
Dimensions (∅ x H)	∅306.4mmx115.9mmx104.1mm(∅12.1"x4.6"x4.1")
Net Weight	1.8kg(3.96lb)
Installation method	Tripod, wall mount

Dimensions



System Illustration

