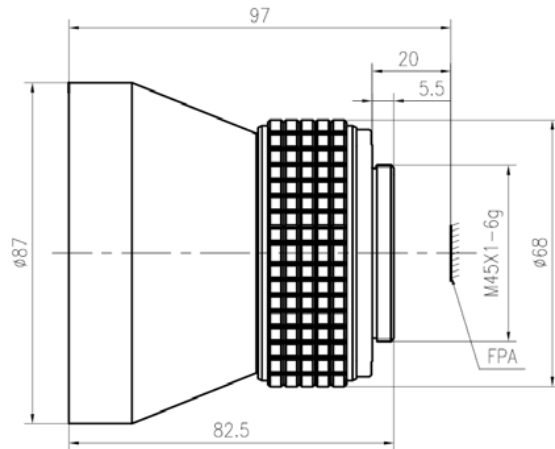


FIR1511 FL75mm f/1.0, Fixed (Adjustable) Focus



Property	Value	Remark
Optical		
Focal Length	75mm	
F/#	1.0	
Spectral Range	8~12 μ m	
Average Transmission (8~12 μ m)	\geq 88% (HC)	\geq 94% (HD)
Detector Type	384x288 25 μ m	
Back Focal Length	21mm	
Filed of View (H x V)	7.3°x5.5°	
Mechanical		
Focus Mechanism	Manually adjustable	
Focus Range	10m~ ∞	
Weight	430g	
Dimensions	Φ 87x82.5mm	
Back work Distance	20mm	
Environmental		
Operating Temperature	-30°C~+50°C	
Storage Temperature	-40°C~+60°C	
Sealing	IP66-front lens only	

FOV						
FOV [deg]	160 x 120	320 x 240	336 x 256	384 x 288	640 x 480	640 x 512
25 μ m	3.1° x 2.1°	6.1° x 4.6°		7.3° x 5.5°		
17 μ m		4.2° x 3.1°	4.4° x 3.3°	5° x 3.7°		