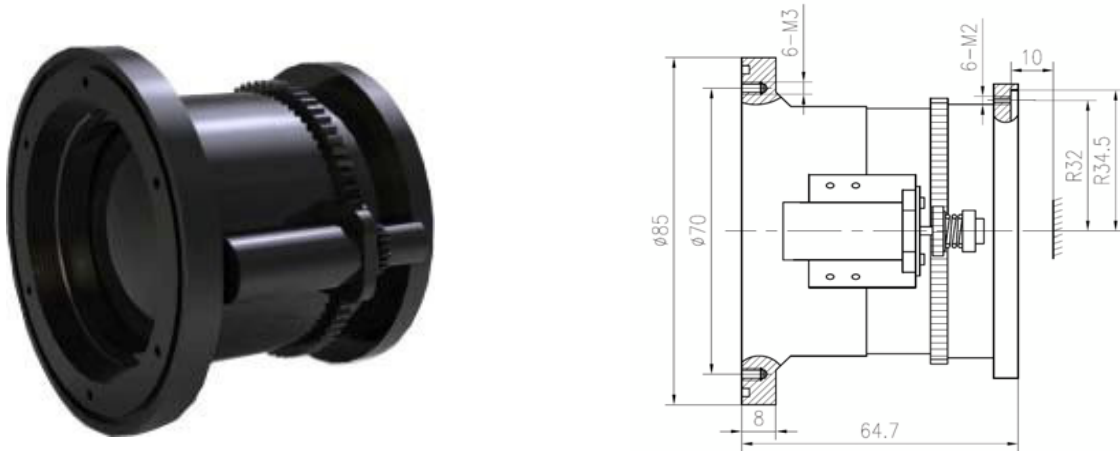


FIR1464 FL50mm f/1.0, Fixed (Adjustable) Focus



Property	Value	Remark
Optical		
Focal Length	50mm	
F/#	1.0	
Spectral Range	8~12μm	
Average Transmission (8~12μm)	≥88% (HC)	≥94% (HD)
Detector Type	640 x 512 17μm	
Back Focal Length	21mm	
Filed of View (H x V)	12.4°×10°	
Mechanical		
Focus Mechanism	Motorized adjustable	
Focus Range	5m~∞	
Weight	265g	
Dimensions	Φ85×64.7mm	
Back work Distance	10mm	
Environmental		
Operating Temperature	-30°C~+50°C	
Storage Temperature	-40°C~+60°C	
Sealing	IP66-front lens only	

FOV						
FOV [deg]	160 x 120	320 x 240	336 x 256	384 x 288	640 x 480	640 x 512
25 μm	4.6° x 3.4°			11° x 8.2°		
17 μm		6.2° x 4.7°	6.5° x 5°	7.5° x 5.6°	12.4° x 9.3°	12.4° x 10°