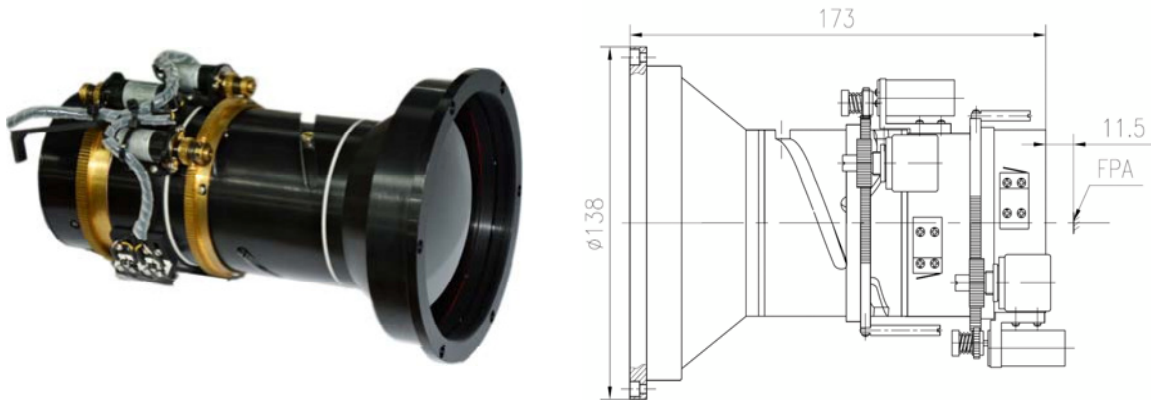


**FIR1328 FL25--100mm f/0.95, Motorized Continuous Zoom**



Property	Value	Remark
<b>Optical</b>	<b>WFOV</b> <b>NFOV</b>	
Focal Length	25mm                      100mm	
F/#	0.95	
Spectral Range	8~12μm	
Average Transmission (8~12μm )	≥83% (HC)	≥88% (HD)
Detector Type	384×288    17μm	
Back Focal Length	24.9mm	
Filed of View (H x V)	14.4° x 11.2°                      3.7° x 2.8°	
<b>Mechanical</b>		
Focus Mechanism	Motorized adjustable	
Focus Range	4m~∞                      10m~∞	
Weight	1782g	
Dimensions	Φ138 x 186.7mm	
Back work Distance	11.5mm	
<b>Environmental</b>		
Operating Temperature	-30°C ~+50°C	
Storage Temperature	-40°C ~+60°C	
Sealing	IP66-front lens only	

FOV [deg]	FOV					
	160 x 120	320 x 240	336 x 256	384 x 288	640 x 480	640 x 512
25 μm	9.2° x 6.9° ~ 2.3° x 1.7°					
17 μm		12.4° x 9.3° ~ 3.1° x 2.3°	13° x 10° ~ 3.2° x 2.5°	14.9°x11.2° ~ 3.7° x 2.8°		