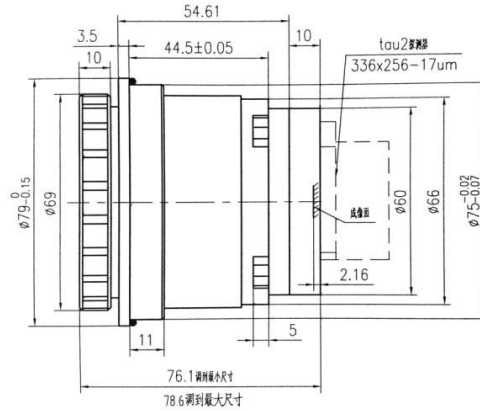


FIR1248 FL42mm f/0.8, Fixed (Adjustable) Focus



Property	Value	Remark
Optical		
Focal Length	42mm	
F/#	0.8	
Spectral Range	8~12μm	
Average Transmission (8~12μm)	≥86% (HC)	
Detector Type	324×256 25μm	
Back Focal Length	27.1 mm	
Filed of View (H x V)	11° x 8.7°	
Mechanical		
Focus Mechanism	Manually adjustable	
Focus Range	10m~∞	
Weight	420g	
Dimensions	Φ79×78.6mm	
Back work Distance	2.16mm	
Environmental		
Operating Temperature	-30°C ~+50°C	
Storage Temperature	-40°C ~+60°C	
Sealing	IP66-front lens only	

FOV						
FOV [deg]	160 x 120	320 x 240	336 x 256	384 x 288	640 x 480	640 x 512
25 μm	5.5° x 4.1°	11° x 8.2°	11° x 8.7°			
17 μm		7.4° x 5.6°	4.4° x 3.3°	8.9° x 6.7°		