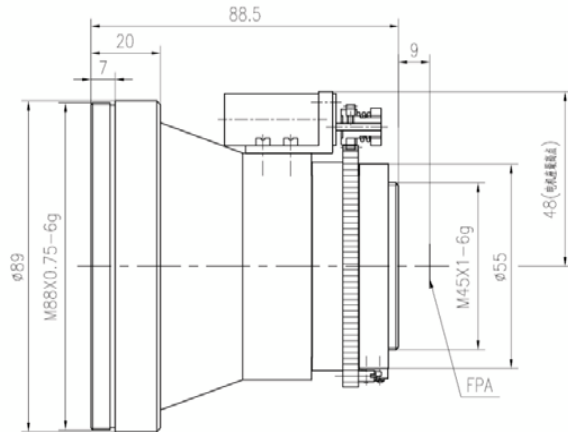


**FIR1213B FL75mm f/1.0, Fixed (Adjustable) Focus**



| Property                             | Value                | Remark          |
|--------------------------------------|----------------------|-----------------|
| <b>Optical</b>                       |                      |                 |
| Focal Length                         | 75mm                 |                 |
| F/#                                  | 1.0                  |                 |
| Spectral Range                       | 8~12 $\mu$ m         |                 |
| Average Transmission (8~12 $\mu$ m ) | $\geq$ 88% (HC)      | $\geq$ 94% (HD) |
| Detector Type                        | 384x288 25 $\mu$ m   |                 |
| Back Focal Length                    | 16.12 mm             |                 |
| Filed of View (H x V)                | 7.3°x5.5°            |                 |
| <b>Mechanical</b>                    |                      |                 |
| Focus Mechanism                      | Motorized adjustable |                 |
| Focus Range                          | 10m~ $\infty$        |                 |
| Weight                               | 630g                 |                 |
| Dimensions                           | $\Phi$ 112x110mm     |                 |
| Back work Distance                   | 9mm                  |                 |
| <b>Environmental</b>                 |                      |                 |
| Operating Temperature                | -30°C~+50°C          |                 |
| Storage Temperature                  | -40°C~+60°C          |                 |
| Sealing                              | IP66-front lens only |                 |

| FOV        |             |             |             |             |             |             |
|------------|-------------|-------------|-------------|-------------|-------------|-------------|
| FOV [deg]  | 160 x 120   | 320 x 240   | 336 x 256   | 384 x 288   | 640 x 480   | 640 x 512   |
| 25 $\mu$ m | 3.1° x 2.1° | 6.1° x 4.6° |             | 7.3° x 5.5° | 2.3° x 1.7° |             |
| 17 $\mu$ m |             | 4.2° x 3.1° | 4.4° x 3.3° | 5.0° x 3.7° | 2.3° x 1.7° | 2.3° x 1.7° |