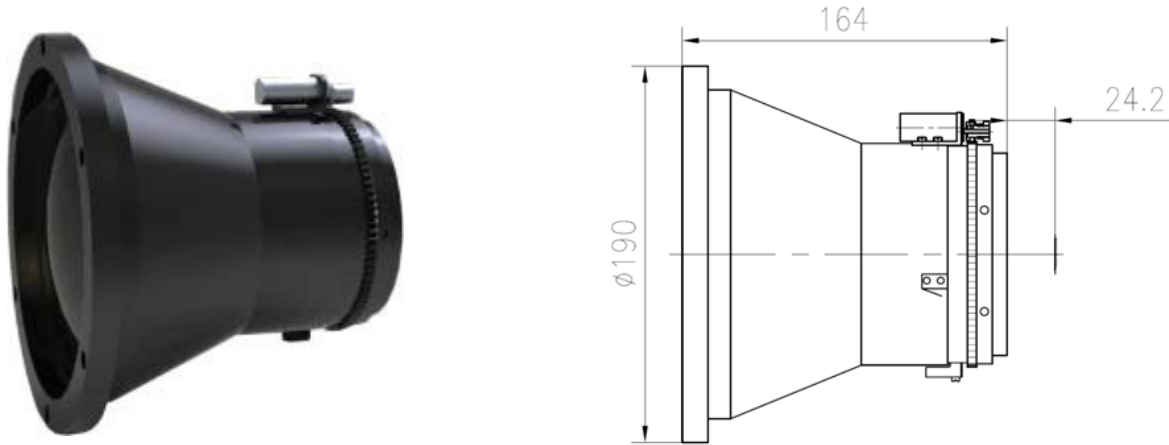


FIR1127 FL150mm f/1.0, Fixed (Adjustable) Focus



Property	Value	Remark
Optical		
Focal Length	150mm	
F/#	1.0	
Spectral Range	8~12μm	
Average Transmission (8~12μm)	≥88% (HC)	≥94% (HD)
Detector Type	640x512 25μm	
Back Focal Length	55.5 mm	
Filed of View (H x V)	6.1° x 4.9°	
Mechanical		
Focus Mechanism	Motorized adjustable	
Focus Range	10m~∞	
Weight	1200g	
Dimensions	Φ190 x164mm	
Back work Distance	24.2mm	
Environmental		
Operating Temperature	-30°C~+50°C	
Storage Temperature	-40°C~+60°C	
Sealing	IP66-front lens only	

FOV						
FOV [deg]	160 x 120	320 x 240	336 x 256	384 x 288	640 x 480	640 x 512
25 μm	1.5° x 1.2°	3.1° x 2.3°		3.7° x 2.8°	6.1° x 4.6°	6.1° x 4.9°
17 μm		2.1° x 1.6°	2.2° x 1.7°	2.5° x 1.9°	4.2° x 3.1°	4.2° x 3.3°