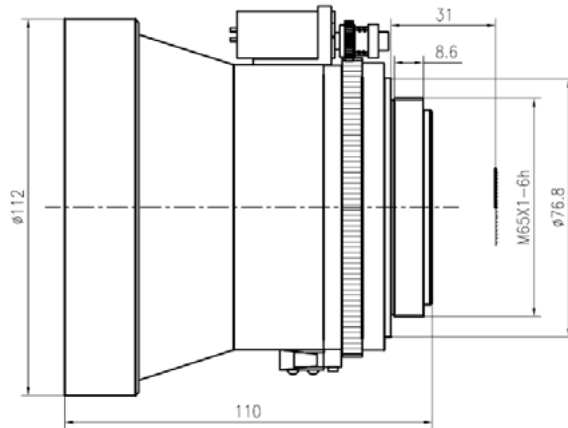


FIR1126 FL100mm f/1.0, Fixed (Adjustable) Focus



Property	Value	Remark
Optical		
Focal Length	100mm	
F/#	1.0	
Spectral Range	8~12 μ m	
Average Transmission (8~12 μ m)	\geq 88% (HC)	\geq 94% (HD)
Detector Type	640x480 25 μ m	
Back Focal Length	24.05 mm	
Filed of View (H x V)	9.2°x6.9°	
Mechanical		
Focus Mechanism	Motorized adjustable	
Focus Range	10m~ ∞	
Weight	750g	
Dimensions	Φ 112x110mm	
Back work Distance	31mm	
Environmental		
Operating Temperature	-30°C ~+50°C	
Storage Temperature	-40°C ~+60°C	
Sealing	IP66-front lens only	

FOV						
FOV [deg]	160 x 120	320 x 240	336 x 256	384 x 288	640 x 480	640 x 512
25 μ m	2.3° x 1.7°	4.6° x 3.4°		5.5° x 4.1°	9.2° x 6.9°	
17 μ m		3.1° x 2.3°	3.3° x 2.5°	3.7° x 2.8°	6.2° x 4.7°	6.2° x 5.0°