

Overview

The **DNC-3000/3600PT Series** of Thermal/Visual day/night dual vision camera is the ultimate security product designed for medium range surveillance in total darkness and extreme conditions. It is powerful multi- sensor camera with a night vision thermal imager , a high resolution day/night CCTV camera and Pan/Tilt in one system. Network image display, and function control .

With the state of art passive infrared thermal seeking technology and a 320x240/ 640x480uncooled FPA detector, **the DNC-3000/3600PT Series** cameras can in outdoor environmental conditions.

Cantronic's expertise in this technology provides a complete day and night vision solution with a full spectrum of infrared wavelength.

Outstanding Features

- Dual Vision, Thermal and Visual,Technology
- 320X240 / 640x480 Microbolometer Detector
- Support ONVIF Profile S and other standards
- NETD <50mK
- Automatic adjustment of contrast and brightness



Product Image



Applications

This unique combination of night vision power is Cantronic's solution to the increasing need for security and homeland protection at a broad range of facilities and infrastructure such as:

- Bridges; Airports; Seaports; Subways
- Military Facilities
- Perimeter Security
- Industrial Applications
- Governmental Facilities
- Bank, shopping Mall
- Warehouse
- Railway Station

Cantronic Systems (Canada) Inc.

Unit 226, 17 Fawcett Road

Coquitlam, BC V3K 6V2, Canada

Tel: 1.604.516.6667 /Tell Free: 1.866.391.6970 /Fax: 1.604.516.6618

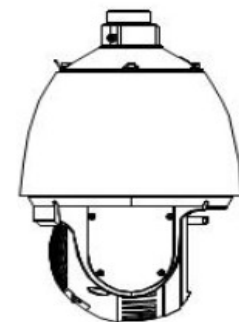
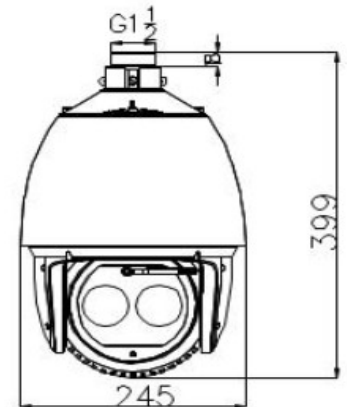
Email: sales@cantronics.com Website: www.cantronics.com

Specifications are subject to change without prior notice.
Cantronic Systems (Canada) Inc. DS-DNC3-201505

Specifications subject to change without notice.

Specifications

Model	DNC-3000PT	DNC-3600PT
Thermal camera		
Detector Type	Uncooled Micro Bolometer	
Pixels	320×240	640×480
Wave length	7.5~13.5µm	7.5~13.5µm
Pitch Size	17µm	17µm
Focus Length	35mm, F/1.0	50mm, F/1.2
Image Frequency	30Hz	30Hz
FOV	8.9° (H)×6.7° (V)	12.5° (H)×9.4° (V)
Focusing Range	2.5m ~∞	3m ~∞
Gain/Level Control	AGC Auto Contrast/Brightness	AGC Auto Contrast/Brightness
Day/Night camera		
Pixels	2M pixels	
Sensor	1/3" Progressive Scan C	
Lens	36X	
Day/Night change	Auto	
Network		
Standards	Support ONVIF Profile S, PSIA, CGI, PELCO	
Interface	Ethernet (10/100 Base T), RJ-45, RS-485	
Frame Rate	50Hz: 20fps(1280×960), 25fps(1280×720) 60Hz: 30fps(1280×960), 30fps(1280×720)	
Video Compression	H.264/MJPEG/MPGE4	
Pan/Tilt		
Pan Rotation	360°	
Pan Speed	0.1° — 160°/S	
Tilt Rotation	-90°--+25° /S	
Tilt Speed	0.1° — 120°/S	
Others		
Power	AC24V, <45W	
Weight	≤8.5Kg	
Dimension	Φ245 (mm) ×399 (mm)	
Operating Temperature	-40°C ~ +70°C	
Sealing	IP66, Military Standard	



Unit:mm